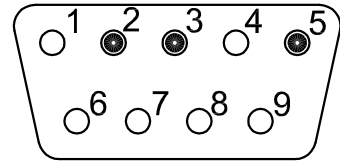
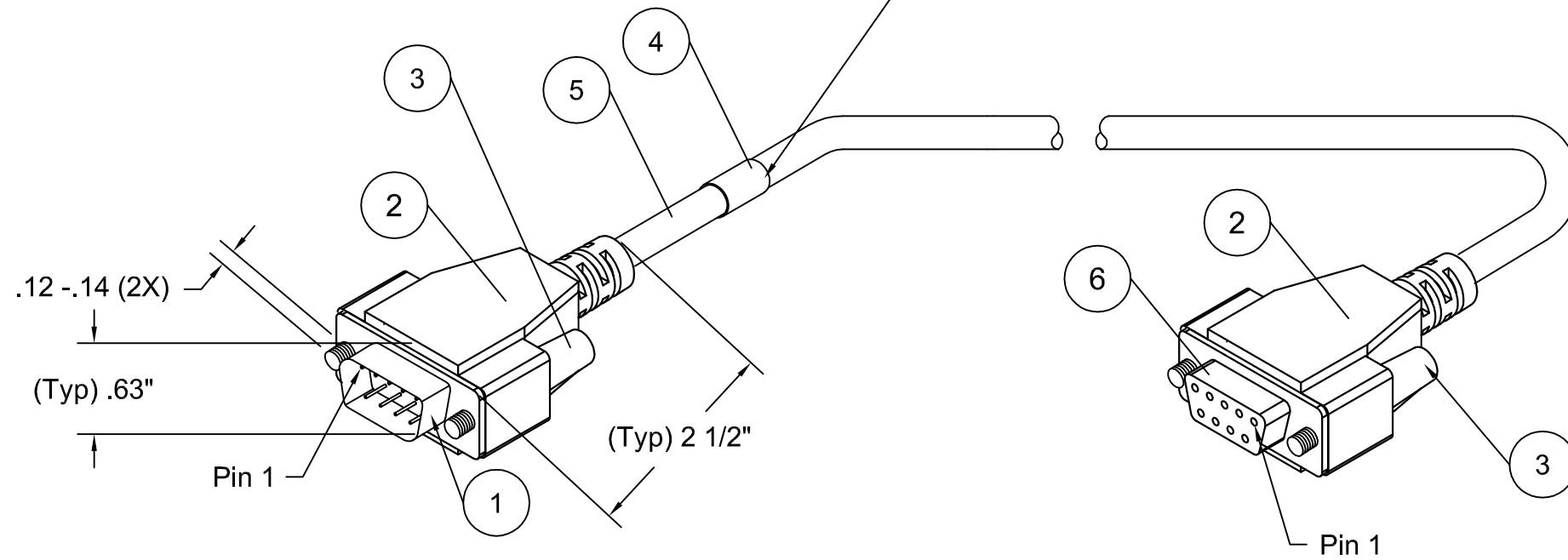


SOLDER SIDE
Pin



SOLDER SIDE
Socket

SEE WORK INSTRUCTION 810500-500
FOR LABELING DETAIL



REV	ECO NUMBER	DATE	BY	APPROVED	UNLESS OTHERWISE SPECIFIED DIMENSIONS ARE IN INCHES TOLERANCES ON			CONTROL TECHNIQUES		12005 TECHNOLOGY DR. EDEN PRAIRIE, MN 55344	
A5	4005	02/21/03	GeneS	<i>Gene Sautter</i>	±	2PLC .01	3PLC .005	ANGLE .50°	DESCRIPTION: DRAWING, CABLE ASSEMBLY, TIA		
A4	3418	03/09/00	BJD	Barb D 3/15/00	MATERIAL: SEE BOM			SIZE	FSCM NO.	DWG NO.	REV
A3	3019	02/24/98	BMA	Ben C 3/9/98	FINISH: SEE NOTES			B		810706-000	A5
A2	2937	09/09/97	BMA	Ben C 9/9/97	DWG BY DATE Beth A 06/24/97			SCALE N/A		SHEET SHT 1 OF 1	
A1	2907	06/24/97	BMA	Ben C	ENG. APPD/CHK DATE Ben Carlson						